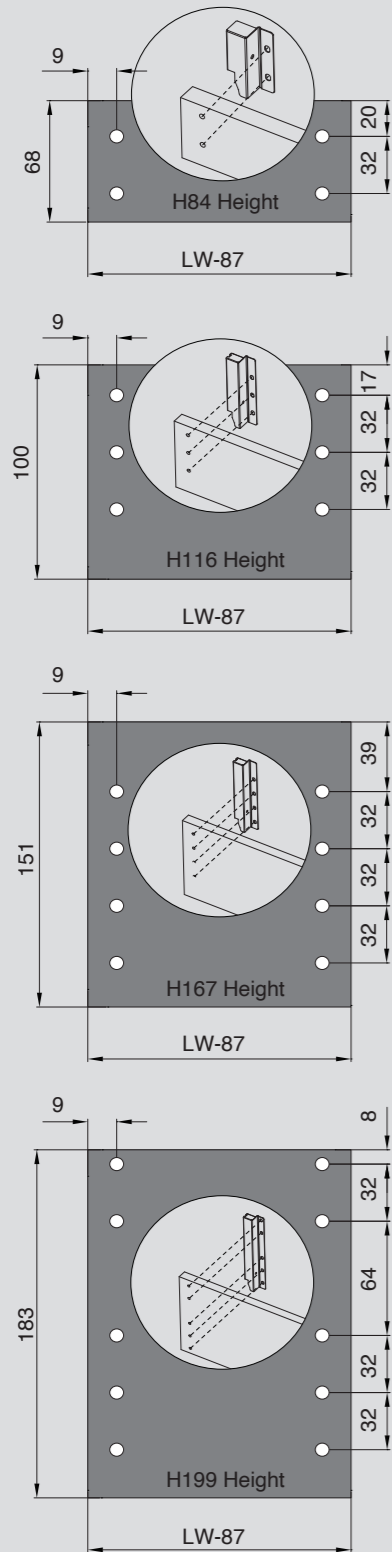


Installation instruction for H BOX drawers

Installation dimensions-Back panel



Cutting dimensions - Back panel

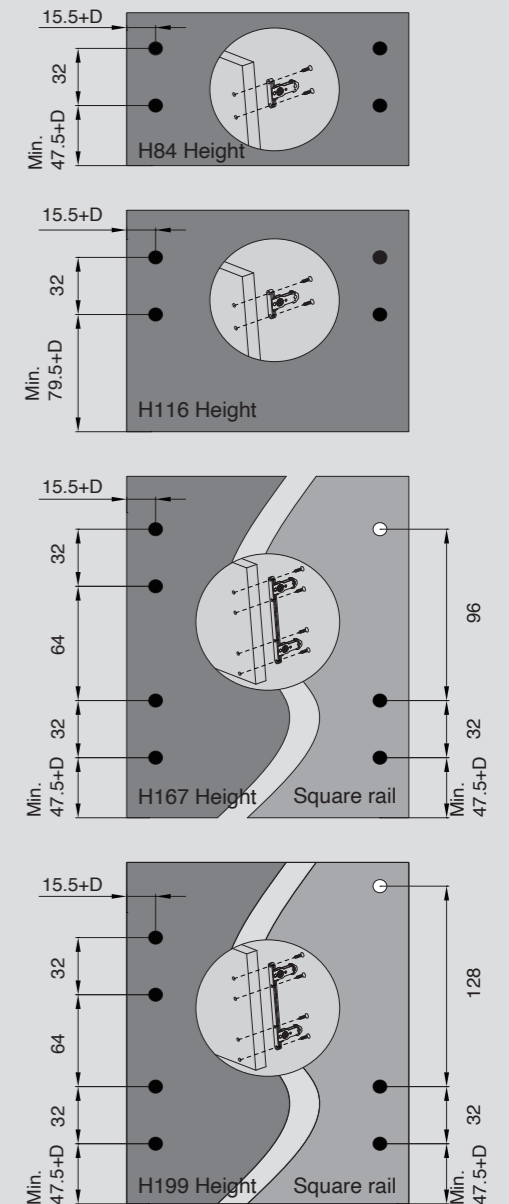
- 16mm-thickness wooden panel
- Width = LW-87mm
- Height: As shown above

Product specification

- * The H13 series are applicable to all wooden materials, including solid wood, particle board, MDF and etc;
- * The loading capacity is 40kgs

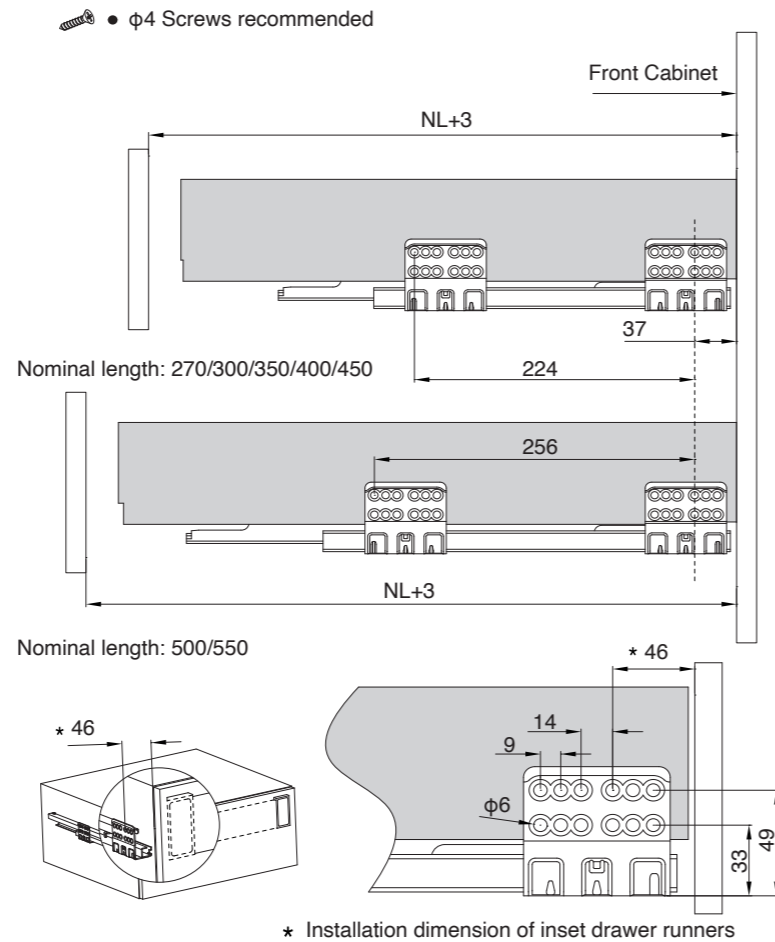
- * There is an end stop when the drawers are fully extended;
- * Front panel dimension: Max height 400mm, Max width 900mm;
- * The corrosion test has been carried out 3 AHT acc. to EN ISO 6270-2

Hole dimensions



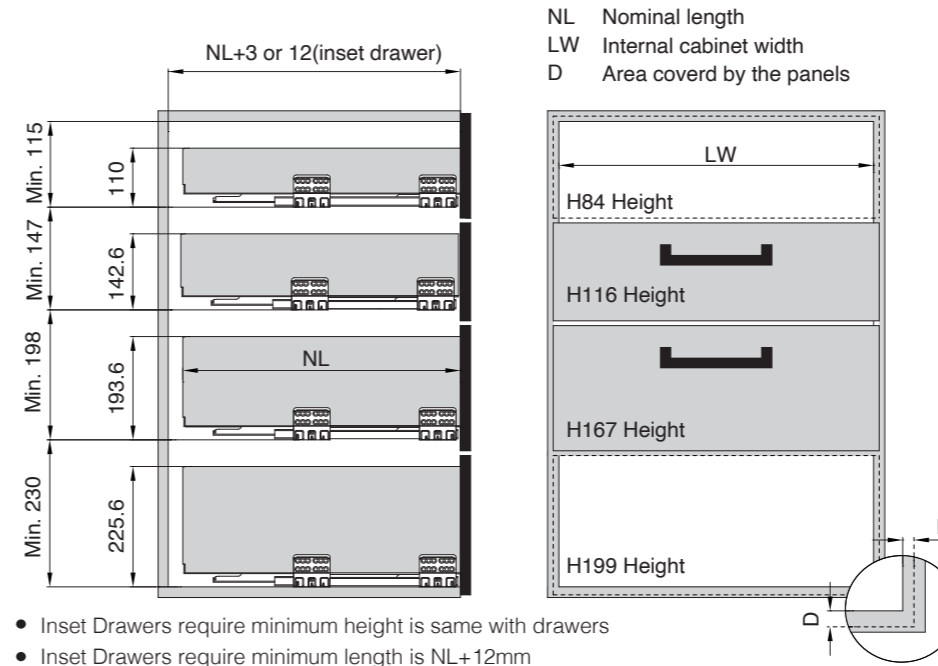
- Front bracket
- Square rail

Installation dimensions-Drawer runners



* Installation dimension of inset drawer runners

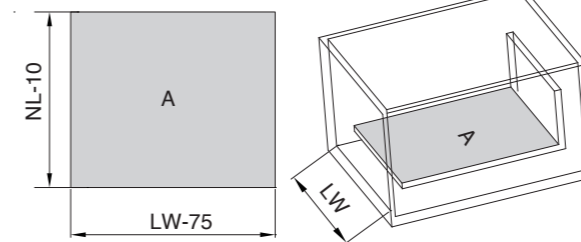
Cabinet space requirement



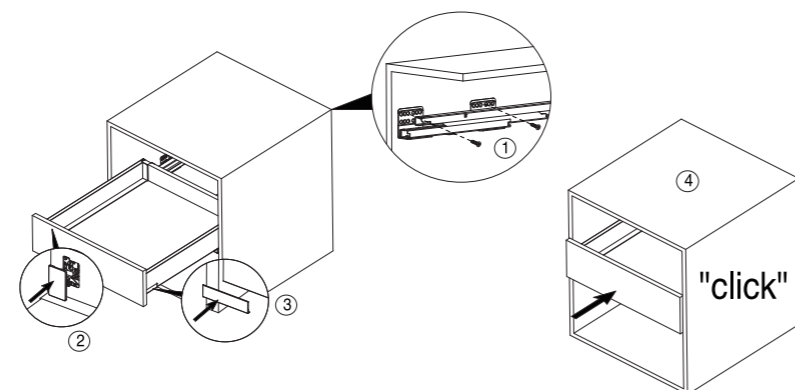
- Inset Drawers require minimum height is same with drawers
- Inset Drawers require minimum length is NL+12mm

Cutting dimensions - Bottom panel

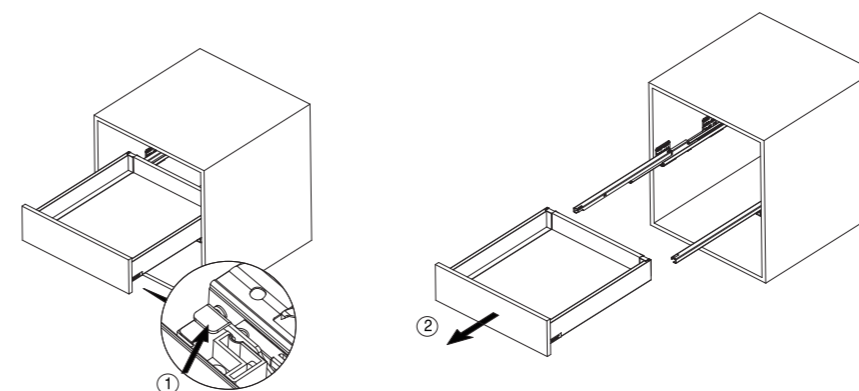
- 16mm-thickness wooden panel
- Width = LW -75mm
- Length = NL -10mm



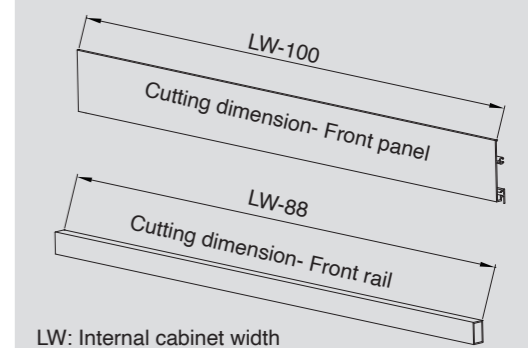
Drawer installation



Drawer remove

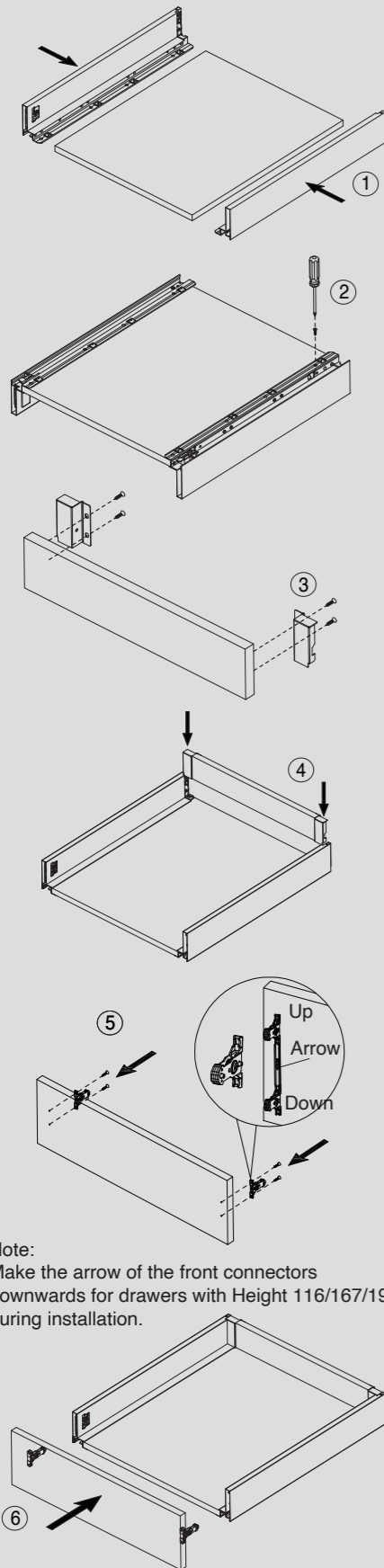


Cutting dimensions for accessories

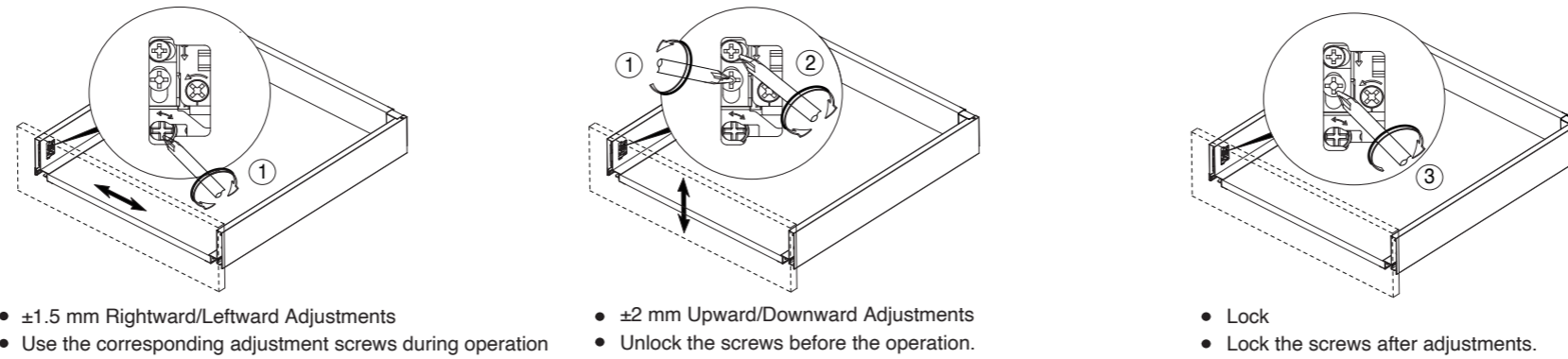


Installation instruction for H BOX drawers

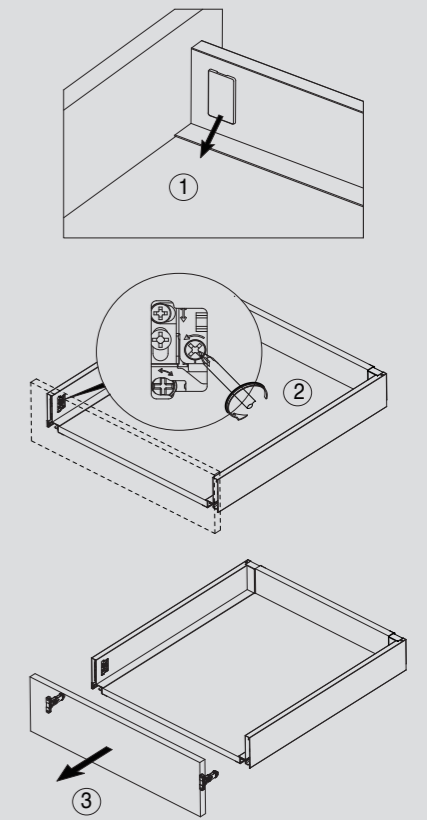
Drawer installation



Adjustment

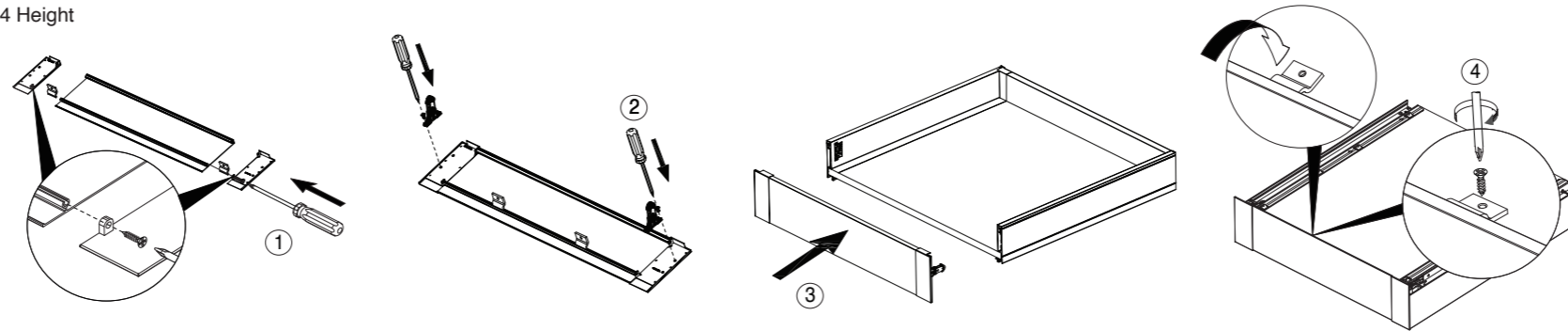


Remove panel



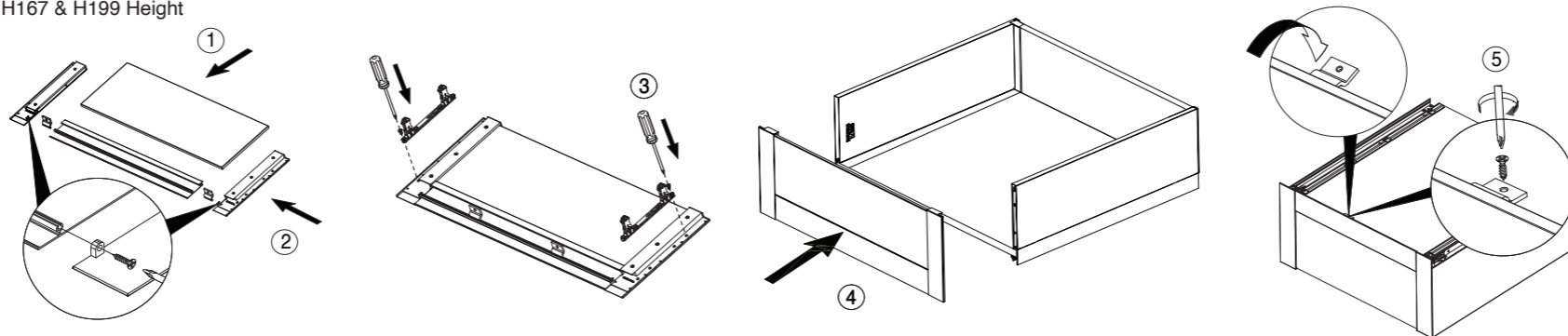
Installation of the front panel for low inset drawers

- H84 Height



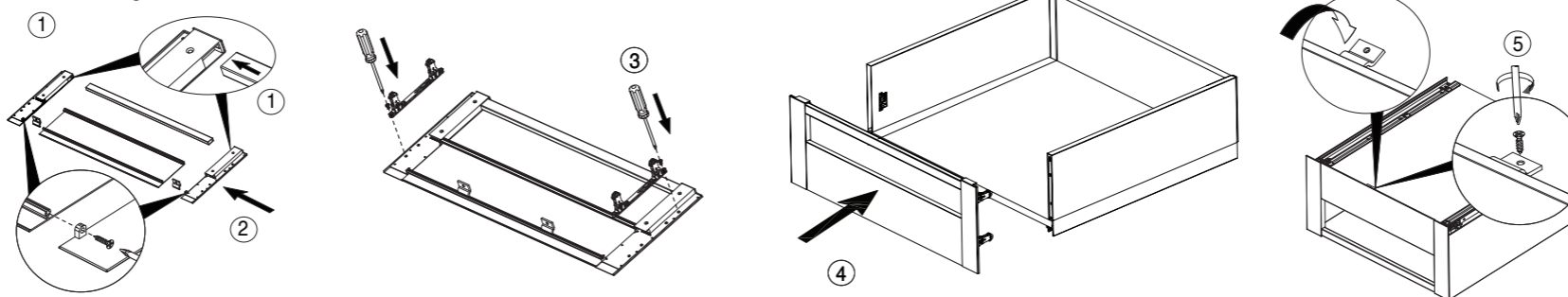
Installation of the front panel with heighten panel for H167 & H199 inset drawers

- H167 & H199 Height



Installation of the front panel with front rail for H167 & H199 inset drawers

- H167 & H199 Height



Installation of square rails

