

CEMUX

CONCEALED HINGE SYSTEM FROM CEMUX - H HINGE

H Hinge catalogue



LIVE YOUR LIFE | CEMUX.COM

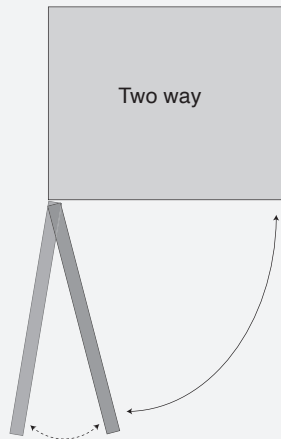
“Special Clip on system ”

This clip on mechanism can remove and assemble easily without any tools needs.

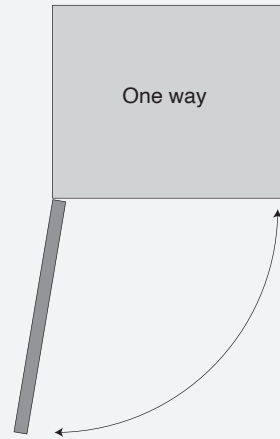
Easy assembly and high quality, CEMUX provides H Hinge Series to give customer the best door opening and closing motions.



Opening

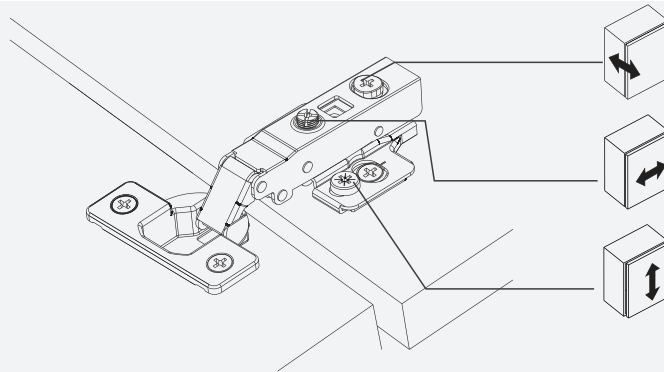


Within a certain range, the door panel can be moved at any position



Door panel only can be full open position

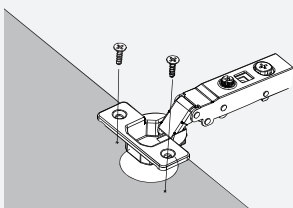
Adjustment



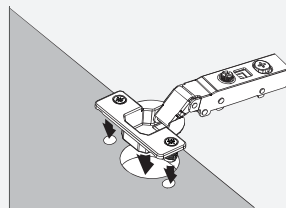
Cam adjustment

Semi-automatic screw can make 5mm depth adjustment without removing panel by hand

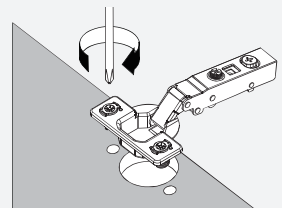
Hinge cup assembly



Wooden screw: 4x16mm
Pre-mounted screw: 6.3x14mm

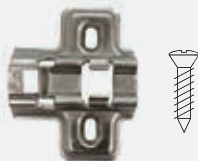


Pre-mounted $\phi 8/10$ mm press in dowel with tool



Pre-mounted $\phi 8/10$ mm expando dowel

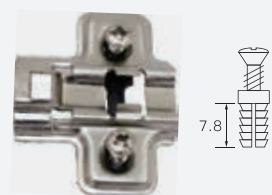
Hinge plate assembly



Wooden screw: 4x16mm



Pre-mounted euro screw



Pre-mounted $\phi 5$ mm expando dowel

H Hinge system
Contents

Clip on							
Item No.	Degree	Opening		Closing		Cam	Special
		Two way	One way	Soft-close	Non Soft-close		
H88	105	●		●	●	●	
H89	105		●	●	●	●	
H72	105		●	●	●		
H96	155			●	●	●	
H94	95	●		●	●		Thick door
H93	120	●		●	●		
H45	45		●	●	●	●	
H90	90		●	●	●	●	
H17	135	●			●		
H92	105	●		●	●		Aluminium
H52	105		●	●	●	●	Aluminium

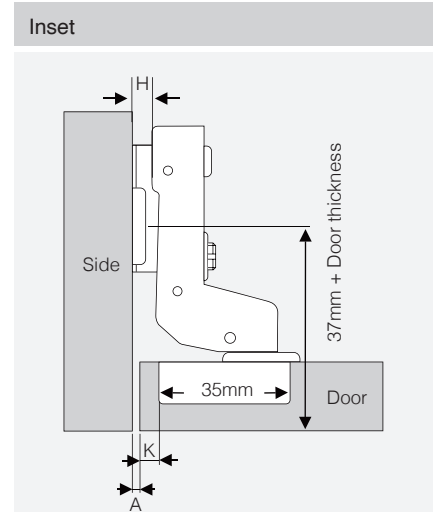
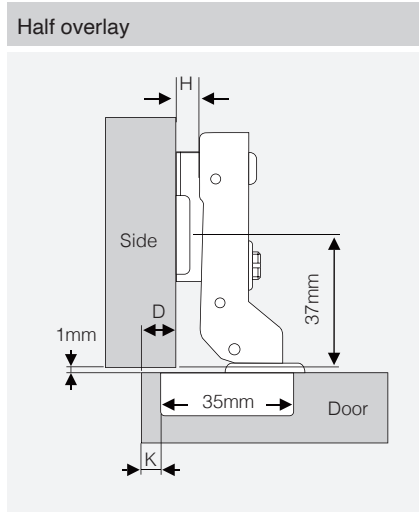
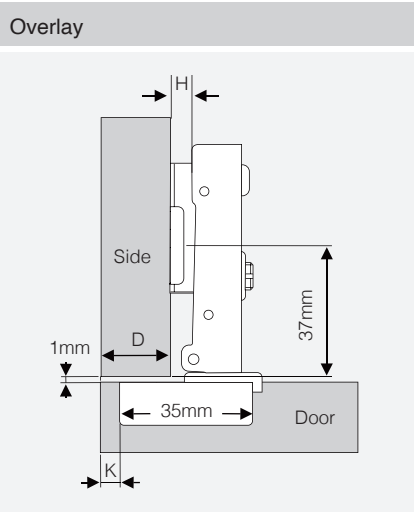
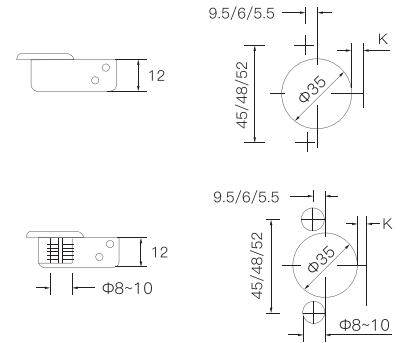
Slide on							
Item No.	Degree	Opening		Closing		Cam	Special
		Two way	One way	Soft-close	Non Soft-close		
H55	105		●	●			
H11	105	●			●		
H18	165		●		●		
H15	45	●			●		
H25	90	●			●		
H35	135	●			●		
H20	105		●		●		Aluminium

H Hinge system

H88-105°; Clip-on; Two way; Cam adjustment; Soft-close



- Installation: Clip-on
- Opening degree: 105°
- Cup diameter: 35mm
- Cup depth: 12mm
- Cup distance: 45/48/52mm
- Door thickness: 14-22mm



		K-Cup distance				
		3	4	5	6	7
D-Door overlay	22.0					0
	21.0				0	
	20.0			0		2
	19.0		0		2	
	18.0	0		2		4
	17.0		2		4	
	16.0	2		4		
	15.0		4			
	14.0	4				
		H-Mounting plate height				

		K-Cup distance				
		3	4	5	6	7
D-Door overlay	12.0					0
	11.0				0	
	10.0			0		2
	9.0		0		2	
	8.0	0		2		4
	7.0		2		4	
	6.0	2		4		
	5.0		4			
	4.0	4				
		H-Mounting plate height				

		K-Cup distance				
		3	4	5	6	7
A-Door reveal	4.0	4				
	3.0		4			
	2.0	2		4		
	1.0		2		4	
	0.0	0		2		4
	-1.0		0		2	
	-2.0			0		2
	-3.0				0	
	-4.0					0
		H-Mounting plate height				

Cup assembly	Item No.
Screw on	H88A101S
Euro screw	H88A102S
φ8 press-in	H88A103S
φ10 press-in	H88A104S
φ8 expando	H88A105S
φ10 expando	H88A106S

Cup assembly	Item No.
Screw on	H88B101S
Euro screw	H88B102S
φ8 press-in	H88B103S
φ10 press-in	H88B104S
φ8 expando	H88B105S
φ10 expando	H88B106S

Cup assembly	Item No.
Screw on	H88C101S
Euro screw	H88C102S
φ8 press-in	H88C103S
φ10 press-in	H88C104S
φ8 expando	H88C105S
φ10 expando	H88C106S

* Standard cup distance is 45mm; if 48mm, please change code Hxxx1xxx to Hxxx2xxx; 52mm change to Hxxx3xxS

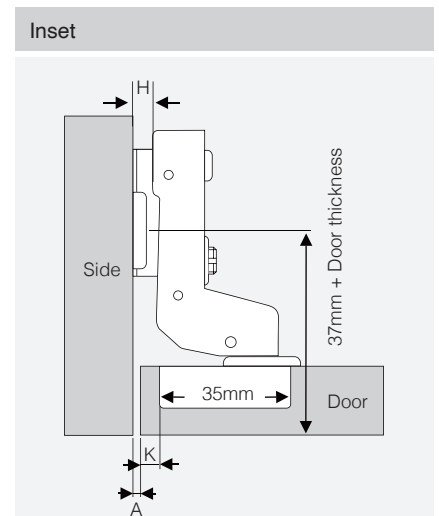
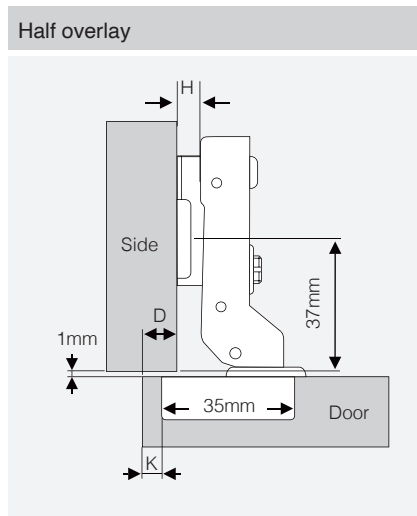
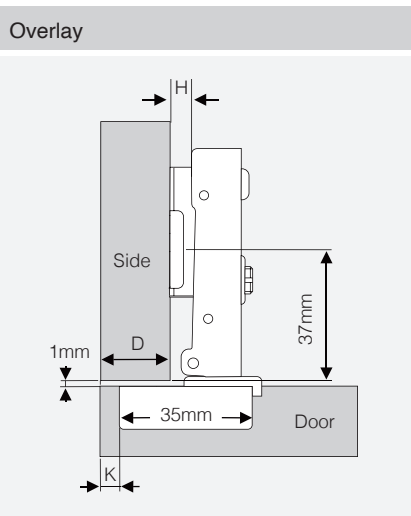
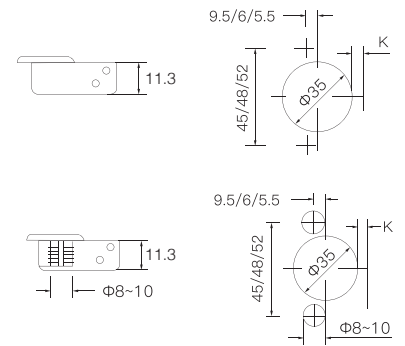
* Non soft-close change code HxxxxxxS to HxxxxxxN

H Hinge system

H89-105°; Clip-on; One way; Cam adjustment; Soft-close



- Installation: Clip-on
- Opening degree: 105°
- Cup diameter: 35mm
- Cup depth: 11.3mm
- Cup distance: 45/48/52mm
- Door thickness: 14-22mm



		K-Cup distance				
		3	4	5	6	7
D-Door overlay	22.0					0
	21.0				0	
	20.0			0		2
	19.0		0		2	
	18.0	0		2		4
	17.0		2		4	
	16.0	2		4		
	15.0		4			
	14.0	4				
		H-Mounting plate height				

		K-Cup distance				
		3	4	5	6	7
D-Door overlay	12.0					0
	11.0				0	
	10.0			0		2
	9.0		0		2	
	8.0	0		2		4
	7.0		2		4	
	6.0	2		4		
	5.0		4			
	4.0	4				
		H-Mounting plate height				

		K-Cup distance				
		3	4	5	6	7
A-Door reveal	4.0	4				
	3.0		4			
	2.0	2		4		
	1.0		2		4	
	0.0	0		2		4
	-1.0		0		2	
	-2.0			0		2
	-3.0				0	
	-4.0					0
		H-Mounting plate height				

Cup assembly	Item No.
Screw on	H89A101S
Euro screw	H89A102S
φ8 press-in	H89A103S
φ10 press-in	H89A104S
φ8 expando	H89A105S
φ10 expando	H89A106S

Cup assembly	Item No.
Screw on	H89B101S
Euro screw	H89B102S
φ8 press-in	H89B103S
φ10 press-in	H89B104S
φ8 expando	H89B105S
φ10 expando	H89B106S

Cup assembly	Item No.
Screw on	H89C101S
Euro screw	H89C102S
φ8 press-in	H89C103S
φ10 press-in	H89C104S
φ8 expando	H89C105S
φ10 expando	H89C106S

* Standard cup distance is 45mm; if 48mm, please change code Hxxx1xxx to Hxxx2xxx; 52mm change to Hxxx3xxxS

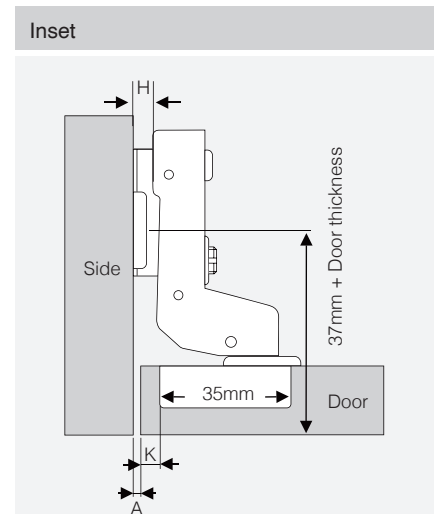
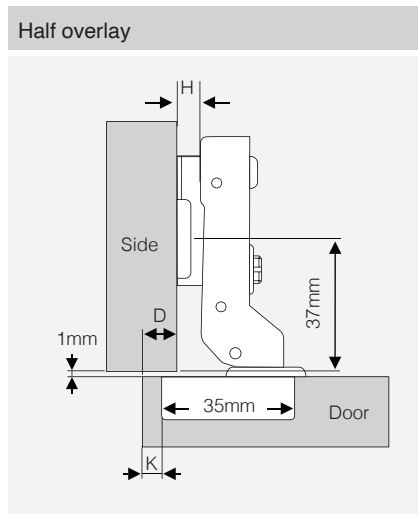
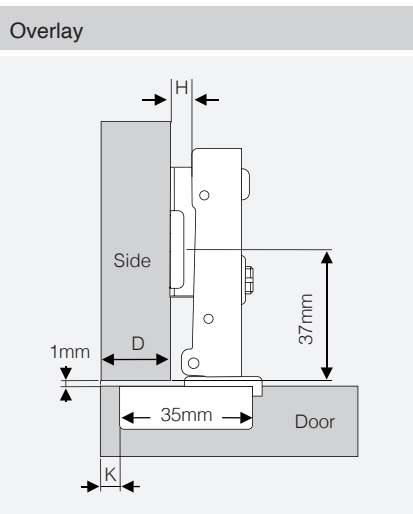
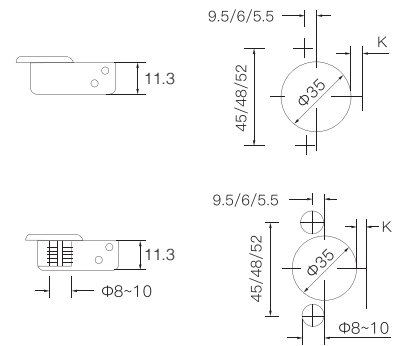
* Non soft-close change code HxxxxxxS to HxxxxxxN

H Hinge system

H72-105°; Clip-on; One way; Soft-close



- Installation: Clip-on
- Opening degree: 105°
- Cup diameter: 35mm
- Cup depth: 11.3mm
- Cup distance: 45/48/52mm
- Door thickness: 14-22mm



		K-Cup distance				
		3	4	5	6	7
D-Door overlay	22.0					0
	21.0				0	
	20.0			0		2
	19.0		0		2	
	18.0	0		2		4
	17.0		2		4	
	16.0	2		4		
	15.0		4			
14.0	4					
		H-Mounting plate height				

		K-Cup distance				
		3	4	5	6	7
D-Door overlay	12.0					0
	11.0				0	
	10.0			0		2
	9.0		0		2	
	8.0	0		2		4
	7.0		2		4	
	6.0	2		4		
	5.0		4			
4.0	4					
		H-Mounting plate height				

		K-Cup distance				
		3	4	5	6	7
A-Door reveal	4.0	4				
	3.0		4			
	2.0	2		4		
	1.0		2		4	
	0.0	0		2		4
	-1.0		0		2	
	-2.0			0		2
	-3.0				0	
-4.0					0	
		H-Mounting plate height				

Cup assembly	Item No.
Screw on	H72A101S
Euro screw	H72A102S
φ8 press-in	H72A103S
φ10 press-in	H72A104S
φ8 expando	H72A105S
φ10 expando	H72A106S

Cup assembly	Item No.
Screw on	H72B101S
Euro screw	H72B102S
φ8 press-in	H72B103S
φ10 press-in	H72B104S
φ8 expando	H72B105S
φ10 expando	H72B106S

Cup assembly	Item No.
Screw on	H72C101S
Euro screw	H72C102S
φ8 press-in	H72C103S
φ10 press-in	H72C104S
φ8 expando	H72C105S
φ10 expando	H72C106S

* Standard cup distance is 45mm; if 48mm, please change code Hxxx1xxx to Hxxx2xxx; 52mm change to Hxxx3xxxS

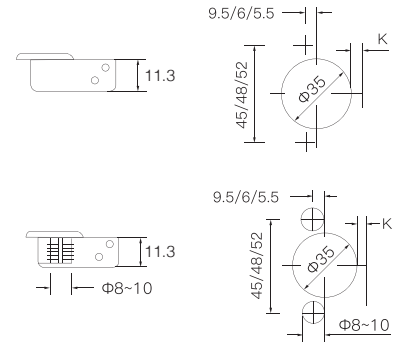
* Non soft-close change code HxxxxxxS to HxxxxxxN

H Hinge system

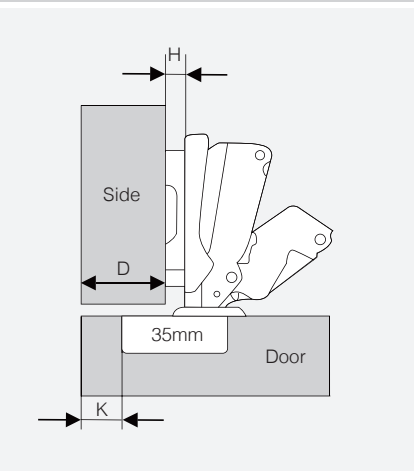
H96-155°; Clip-on; Cam adjustment; Soft-close



- Installation: Clip-on
- Opening degree: 155°
- Cup diameter: 35mm
- Cup depth: 11.3mm
- Cup distance: 45/48/52mm
- Door thickness: 16-24mm

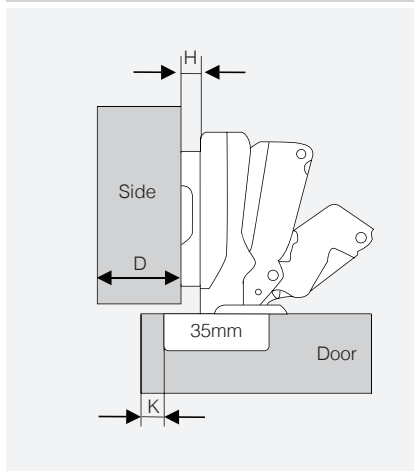


Overlay



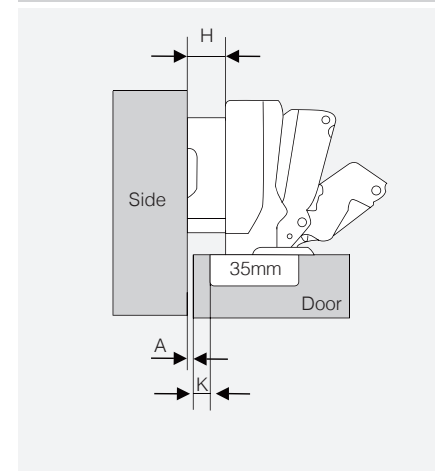
		K-Cup distance				
		3	4	5	6	7
D-Door overlay	21.0					0
	20.0				0	
	19.0			0		2
	18.0		0		2	
	17.0	0		2		4
	16.0		2		4	
	15.0	2		4		
	14.0		4			
13.0	4					
		H-Mounting plate height				

Half overlay



		K-Cup distance				
		3	4	5	6	7
D-Door overlay	12.0					0
	11.0				0	
	10.0			0		2
	9.0		0		2	
	8.0	0		2		4
	7.0		2		4	
	6.0	2		4		
	5.0		4			
4.0	4					
		H-Mounting plate height				

Inset



		K-Cup distance				
		3	4	5	6	7
A-Door reveal	4.0	4				
	3.0		4			
	2.0	2		4		
	1.0		2		4	
	0.0	0		2		4
	-1.0		0		2	
	-2.0			0		2
	-3.0				0	
-4.0					0	
		H-Mounting plate height				

Cup assembly	Item No.
Screw on	H96A101S
Euro screw	H96A102S
φ8 press-in	H96A103S
φ10 press-in	H96A104S
φ8 expando	H96A105S
φ10 expando	H96A106S

Cup assembly	Item No.
Screw on	H96B101S
Euro screw	H96B102S
φ8 press-in	H96B103S
φ10 press-in	H96B104S
φ8 expando	H96B105S
φ10 expando	H96B106S

Cup assembly	Item No.
Screw on	H96C101S
Euro screw	H96C102S
φ8 press-in	H96C103S
φ10 press-in	H96C104S
φ8 expando	H96C105S
φ10 expando	H96C106S

* Standard cup distance is 45mm; if 48mm, please change code Hxxx1xxx to Hxxx2xxx; 52mm change to Hxxx3xxxS

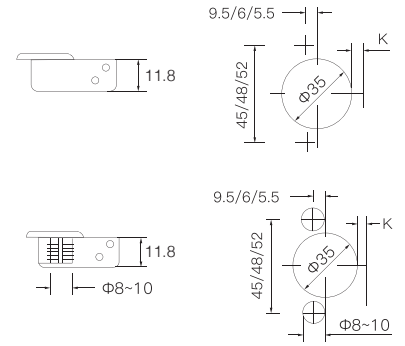
* Non soft-close change code HxxxxxxS to HxxxxxxN

H Hinge system

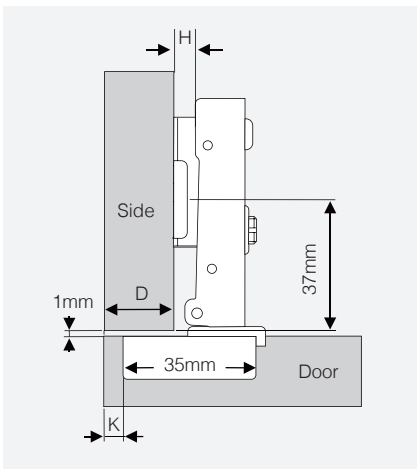
H94-95°; Thick door; Clip-on; Two way; Soft-close



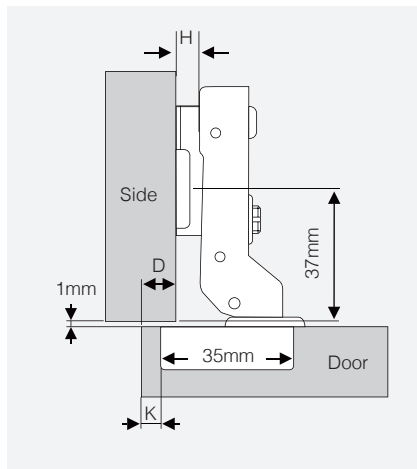
- Installation: Clip-on
- Opening degree: 95°
- Cup diameter: 35mm
- Cup depth: 11.8mm
- Cup distance: 45/48/52mm
- Door thickness: 15-35mm



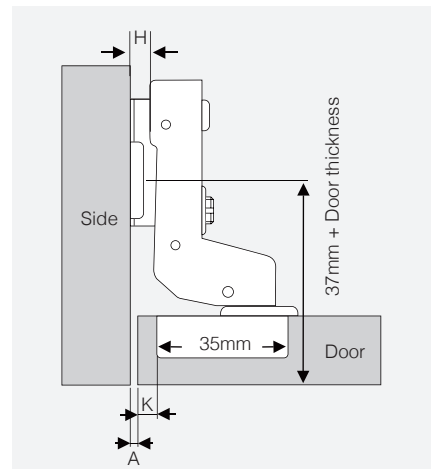
Overlay



Half overlay



Inset



		K-Cup distance					
		3	4	5	6	7	8
D-Door overlay	22.0						0
	21.0					0	
	20.0				0		2
	19.0			0		2	
	18.0		0		2		4
	17.0	0		2		4	
	16.0		2		4		
	15.0	2		4			
	14.0		4				
13.0	4						
		H-Mounting plate height					

		K-Cup distance					
		3	4	5	6	7	8
D-Door overlay	13.0						0
	12.0					0	
	21.0				0		2
	10.0			0		2	
	9.0		0		2		4
	8.0	0		2		4	
	7.0		2		4		
	6.0	2		4			
	5.0		4				
4.0	4						
		H-Mounting plate height					

		K-Cup distance					
		3	4	5	6	7	8
A-Door reveal	5.5	4					
	4.5		4				
	3.5	2		4			
	2.5		2		4		
	1.5	0		2		4	
	0.5		0		2		4
	-0.5			0		2	
	-1.5				0		2
	-2.5					0	
	-3.5						0
		H-Mounting plate height					

Cup assembly	Item No.
Screw on	H94A101S
Euro screw	H94A102S
φ8 press-in	H94A103S
φ10 press-in	H94A104S
φ8 expando	H94A105S
φ10 expando	H94A106S

Cup assembly	Item No.
Screw on	H94B101S
Euro screw	H94B102S
φ8 press-in	H94B103S
φ10 press-in	H94B104S
φ8 expando	H94B105S
φ10 expando	H94B106S

Cup assembly	Item No.
Screw on	H94C101S
Euro screw	H94C102S
φ8 press-in	H94C103S
φ10 press-in	H94C104S
φ8 expando	H94C105S
φ10 expando	H94C106S

* Standard cup distance is 45mm; if 48mm, please change code Hxxx1xxx to Hxxx2xxx; 52mm change to Hxxx3xxxS

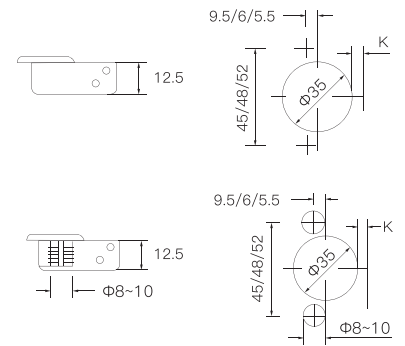
* Non soft-close change code HxxxxxxS to HxxxxxxN

H Hinge system

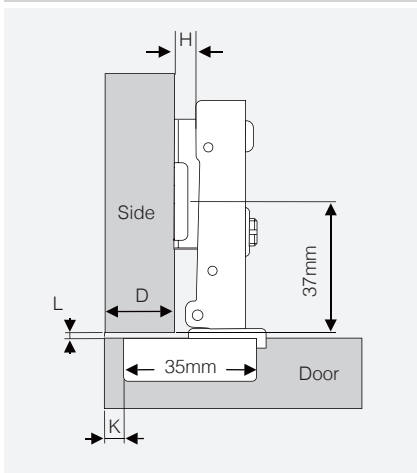
H93-120°; Clip-on; Two way; Soft-close



- Installation: Clip-on
- Opening degree: 120°
- Cup diameter: 35mm
- Cup depth: 12.5mm
- Cup distance: 45/48/52mm
- Door thickness: 16-22mm



Overlay



		K-Cup distance				
		3	4	5		
D-Door overlay	18.0			0		
	17.0		0			
	16.0	0		2		
	15.0		2			
	14.0	2		4		
	13.0		4			
	12.0	4				
			H-Mounting plate height			

		D-Door overlay							
		15	16	17	18	19	20	21	22
K-Cup distance	K=3	0.5	0.5	0.5	0.9	1.0	1.4	1.9	2.4
	K=4	0.5	0.5	0.8	1.3	1.8	2.3	2.8	3.3
	K=5	0.7	1.2	1.7	2.2	2.7	3.2	3.7	4.2
		L - Min. gap for doors							

Cup assembly	Item No.
Screw on	H93A101S
Euro screw	H93A102S
φ8 press-in	H93A103S
φ10 press-in	H93A104S
φ8 expando	H93A105S
φ10 expando	H93A106S

* Standard cup distance is 45mm; if 48mm, please change code Hxxx1xxx to Hxxx2xxx; 52mm change to Hxxx3xxxS

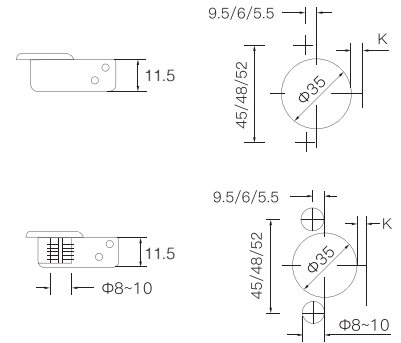
* Non soft-close change code HxxxxxxS to HxxxxxxN

H Hinge system

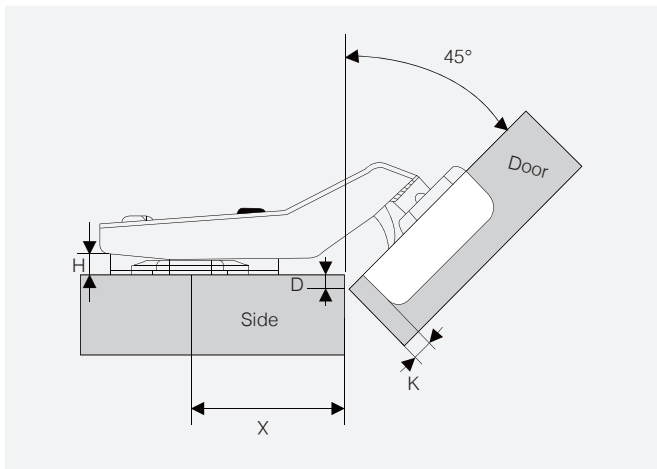
H45-45°; Clip-on; One way; Cam adjustment; Soft-close



- Installation: Clip-on
- Opening degree: 45°
- Cup diameter: 35mm
- Cup depth: 11.5mm
- Cup distance: 45/48/52mm
- Door thickness: 14-22mm



Overlay



		K-Cup distance			
		4 (X=37)	5 (X=36)	6 (X=35)	7 (X=34)
D-Door overlay	7.2				0
	6.3			0	
	5.2		0		2
	4.3	0		2	
	3.2		2		4
	2.3	2		4	
	1.6		4		
	0.5	4			
		H-Mounting plate height			

Cup assembly	Item No.
Screw on	H45A101S
Euro screw	H45A102S
φ8 press-in	H45A103S
φ10 press-in	H45A104S
φ8 expando	H45A105S
φ10 expando	H45A106S

* Standard cup distance is 45mm; if 48mm, please change code Hxxx1xxx to Hxxx2xxx; 52mm change to Hxxx3xxxS

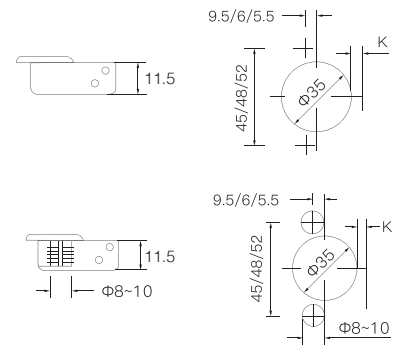
* Non soft-close change code HxxxxxxS to HxxxxxxN

H Hinge system

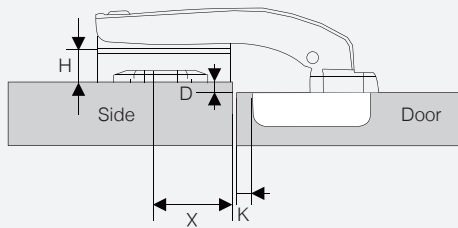
H90-90°; Clip-on; One way; Cam adjustment; Soft-close



- Installation: Clip-on
- Opening degree: 45°
- Cup diameter: 35mm
- Cup depth: 11.5mm
- Cup distance: 45/48/52mm
- Door thickness: 14-22mm



Overlay



		K-Cup distance		
		4 (X=20)	5 (X=19)	
D-Door overlay				
	2.8	0	0	
	0.8	2	2	
	-1.2	4	4	
		H-Mounting plate height		

Cup assembly	Item No.
Screw on	H90A101S
Euro screw	H90A102S
φ8 press-in	H90A103S
φ10 press-in	H90A104S
φ8 expando	H90A105S
φ10 expando	H90A106S

* Standard cup distance is 45mm; if 48mm, please change code Hxxx1xxx to Hxxx2xxx; 52mm change to Hxxx3xxxS

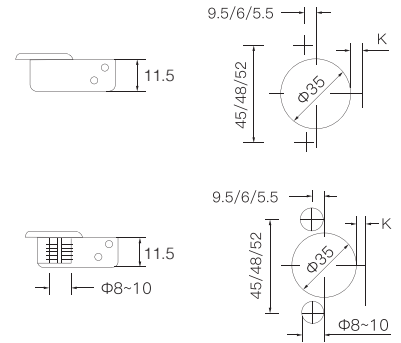
* Non soft-close change code HxxxxxxS to HxxxxxxN

H Hinge system

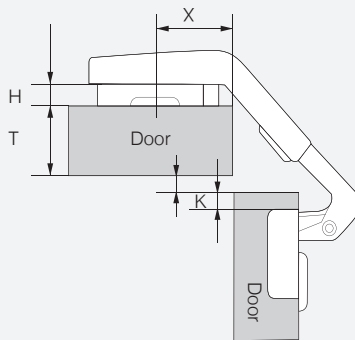
H17-135°; Clip-on; Two way



- Installation: Clip-on
- Opening degree: 135°
- Cup diameter: 35mm
- Cup depth: 11.5mm
- Cup distance: 45/48/52mm
- Door thickness: 14-22mm



Overlay



		K-Cup distance			
		4 (X=37)	5 (X=37)		
T-Door thickness					
	≤18	0	0		
	>18	2	2		
		H-Mounting plate height			

Cup assembly	Item No.
Screw on	H17C101N
Euro screw	H17C102N
φ8 press-in	H17C103N
φ10 press-in	H17C104N
φ8 expando	H17C105N
φ10 expando	H17C106N

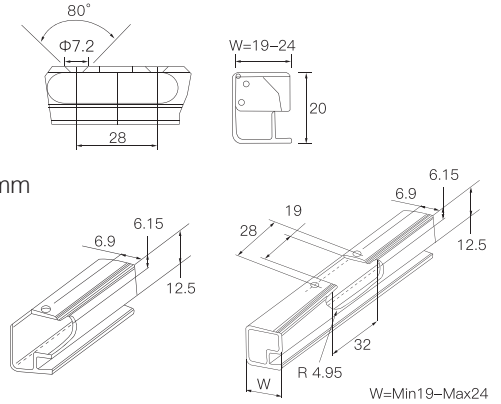
* Standard cup distance is 45mm; if 48mm, please change code Hxxx1xxx to Hxxx2xxx; 52mm change to Hxxx3xxxS

H Hinge system

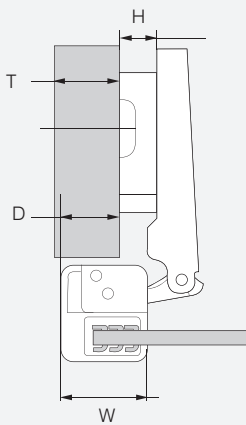
H92-105°; Aluminum frame door; Clip-on; Two way; Soft-close



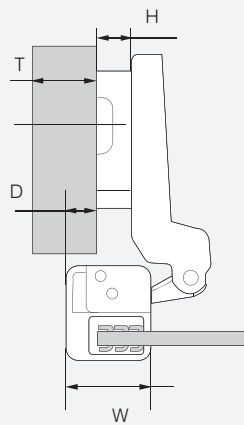
- Installation: Clip-on
- Opening degree: 105°
- Cup distance: 28mm
- Aluminum frame width: 19-24mm



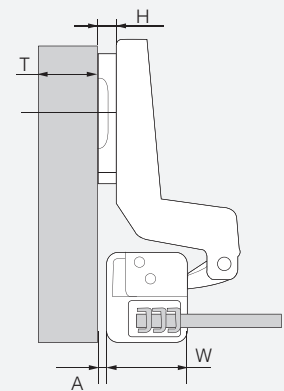
Overlay



Half overlay



Inset



		W-Width of aluminum frame					
		19	20	21	22	23	24
D-Door overlay	22.0						0
	21.0					0	
	20.0				0		2
	19.0			0		2	
	18.0		0		2		4
	17.0	0		2		4	
	16.0		2		4		
	15.0	2		4			
	14.0		4				
	13.0	4					
		H-Mounting plate height					

		W-Width of aluminum frame					
		19	20	21	22	23	24
D-Door overlay	12.0						0
	11.0					0	
	10.0				0		2
	9.0			0		2	
	8.0		0		2		4
	7.0	0		2		4	
	6.0		2		4		
	5.0	2		4			
	4.0		4				
	3.0	4					
		H-Mounting plate height					

		K-Cup distance					
		19	20	21	22	23	24
A-Door reveal	5.0	4					
	4.0		4				
	3.0	2		4			
	2.0		2		4		
	1.0	0		2		4	
	0.0		0		2		4
	-1.0			0		2	
	-2.0				0		2
	-3.0					0	
	-4.0						0
		H-Mounting plate height					

Cup assembly	Item No.
Screw on	H92A101S
Euro screw	H92A102S
φ8 press-in	H92A103S
φ10 press-in	H92A104S
φ8 expando	H92A105S
φ10 expando	H92A106S

Cup assembly	Item No.
Screw on	H92B101S
Euro screw	H92B102S
φ8 press-in	H92B103S
φ10 press-in	H92B104S
φ8 expando	H92B105S
φ10 expando	H92B106S

Cup assembly	Item No.
Screw on	H92C101S
Euro screw	H92C102S
φ8 press-in	H92C103S
φ10 press-in	H92C104S
φ8 expando	H92C105S
φ10 expando	H92C106S

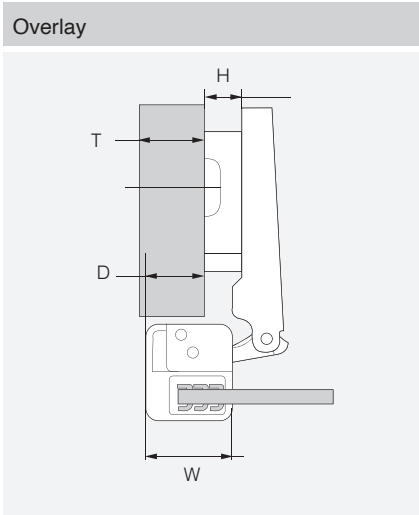
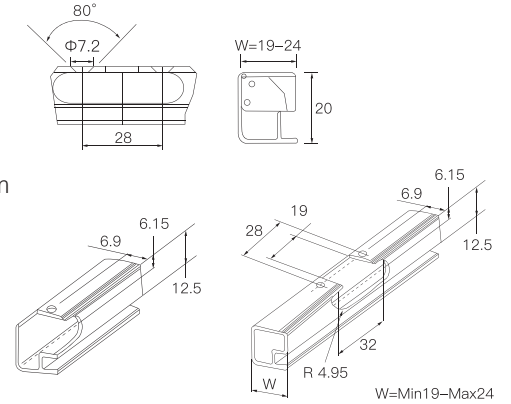
* Non soft-close change code HxxxxxS to HxxxxxN

H Hinge system

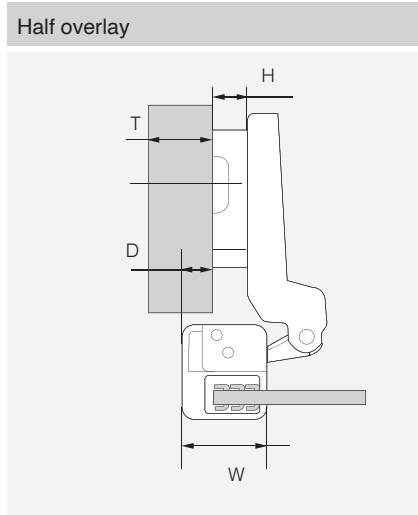
H52-105°; Aluminum frame door; Clip-on; One way; Cam adjustment; Soft-close



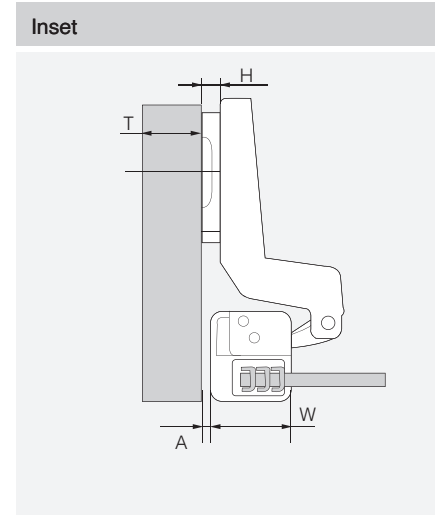
- Installation: Clip-on
- Opening degree: 105°
- Cup distance: 28mm
- Aluminum frame width: 19-24mm



		W-Width of aluminum frame					
		19	20	21	22	23	24
D-Door overlay	22.0						0
	21.0					0	
	20.0				0	2	
	19.0			0	2		
	18.0		0	2	4		
	17.0	0	2	4			
	16.0	2	4				
	15.0	4					
	14.0						
	13.0						
		H-Mounting plate height					



		W-Width of aluminum frame					
		19	20	21	22	23	24
D-Door overlay	12.0						0
	11.0					0	
	10.0				0	2	
	9.0			0	2		
	8.0		0	2	4		
	7.0	0	2	4			
	6.0	2	4				
	5.0	4					
	4.0						
	3.0						
		H-Mounting plate height					



		K-Cup distance					
		19	20	21	22	23	24
A-Door reveal	5.0	4					
	4.0		4				
	3.0	2		4			
	2.0		2		4		
	1.0	0		2		4	
	0.0		0		2		4
	-1.0			0		2	
	-2.0				0		2
	-3.0					0	
	-4.0						0
		H-Mounting plate height					

Cup assembly	Item No.
Screw on	H52A101S
Euro screw	H52A102S
φ8 press-in	H52A103S
φ10 press-in	H52A104S
φ8 expando	H52A105S
φ10 expando	H52A106S

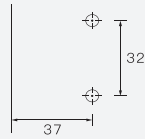
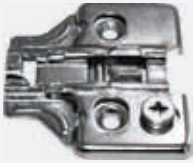
Cup assembly	Item No.
Screw on	H52B101S
Euro screw	H52B102S
φ8 press-in	H52B103S
φ10 press-in	H52B104S
φ8 expando	H52B105S
φ10 expando	H52B106S

Cup assembly	Item No.
Screw on	H52C101S
Euro screw	H52C102S
φ8 press-in	H52C103S
φ10 press-in	H52C104S
φ8 expando	H52C105S
φ10 expando	H52C106S

* Non soft-close change code HxxxxxS to HxxxxxN

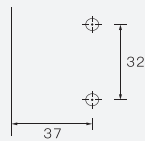
H Hinge system
Hinge plate for Clip-on

Adjustable plate - P12



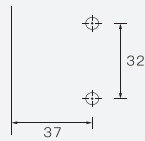
Assembly	H=0	H=2	H=4
	Item No.	Item No.	Item No.
Screw on	P12001	P12201	P12401
Euro screw	P12002	P12202	P12402
φ5 expando	P12003	P12203	P12403

Two hole plate - P22



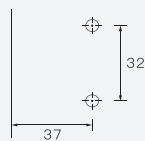
Assembly	H=0	H=2	H=4
	Item No.	Item No.	Item No.
Screw on	P22001	P22201	P22401
Euro screw	P22002	P22202	P22402
φ5 expando	P22003	P22203	P22403

Four hole plate - P42



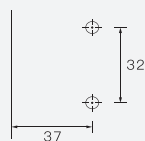
Assembly	H=0	H=2	H=4
	Item No.	Item No.	Item No.
Screw on	P42001	P42201	P42401

Adjustable plate - P14 *Only for H17-135° hinge



Assembly	H=0	H=2	H=4
	Item No.	Item No.	Item No.
Screw on	P14001	P14201	P14401
Euro screw	P14002	P14202	P14402
φ5 expando	P14003	P14203	P14403

Two hole plate - P24 *Only for H17-135° hinge



Assembly	H=0	H=2	H=4
	Item No.	Item No.	Item No.
Screw on	P24001	P24201	P24401
Euro screw	P24002	P24202	P24402
φ5 expando	P24003	P24203	P24403

H Hinge system

Hinge accessories

Hinge arm cover



Hinge arm cover	Item No.
With Cemux logo	HAC01
Without Cemux logo	HAC11

Hinge cup cover



Hinge cup cover	Item No.
	HCC01

Slide-on

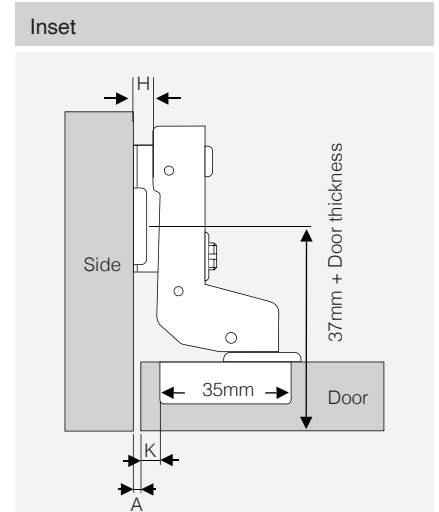
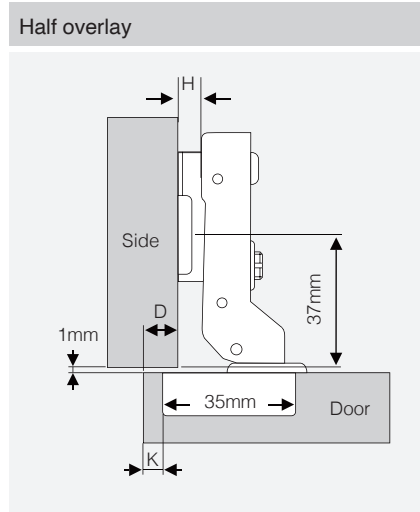
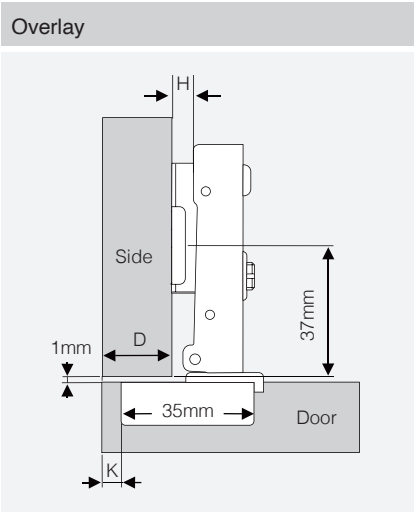
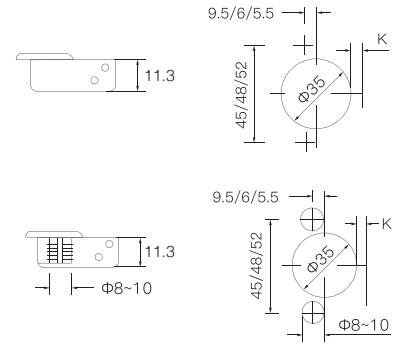


H Hinge system

H55-105°; Slide-on; One way; Soft-close



- Installation: Slide-on
- Opening degree: 105°
- Cup diameter: 35mm
- Cup depth: 11.3mm
- Cup distance: 45/48/52mm
- Door thickness: 14-22mm



		K-Cup distance				
		3	4	5	6	7
D-Door overlay	20.0					0
	19.0				0	
	18.0			0		2
	17.0		0		2	
	16.0	0		2		4
	15.0		2		4	
	14.0	2		4		
	13.0		4			
	12.0	4				
		H-Mounting plate height				

		K-Cup distance				
		3	4	5	6	7
D-Door overlay	12.0					0
	11.0				0	
	10.0			0		2
	9.0		0		2	
	8.0	0		2		4
	7.0		2		4	
	6.0	2		4		
	5.0		4			
	4.0	4				
		H-Mounting plate height				

		K-Cup distance				
		3	4	5	6	7
A-Door reveal	5.0	4				
	4.0		4			
	3.0	2		4		
	2.0		2		4	
	1.0	0		2		4
	0.0		0		2	
	-1.0			0		
	-2.0				0	2
	-3.0					0
		H-Mounting plate height				

Cup assembly	Item No.
Screw on	H55A101S
Euro screw	H55A102S
φ8 press-in	H55A103S
φ10 press-in	H55A104S
φ8 expando	H55A105S
φ10 expando	H55A106S

Cup assembly	Item No.
Screw on	H55B101S
Euro screw	H55B102S
φ8 press-in	H55B103S
φ10 press-in	H55B104S
φ8 expando	H55B105S
φ10 expando	H55B106S

Cup assembly	Item No.
Screw on	H55C101S
Euro screw	H55C102S
φ8 press-in	H55C103S
φ10 press-in	H55C104S
φ8 expando	H55C105S
φ10 expando	H55C106S

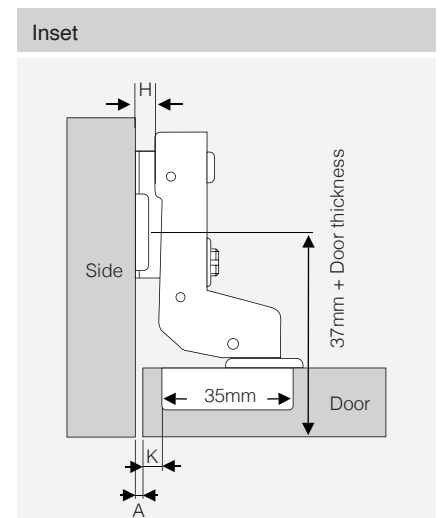
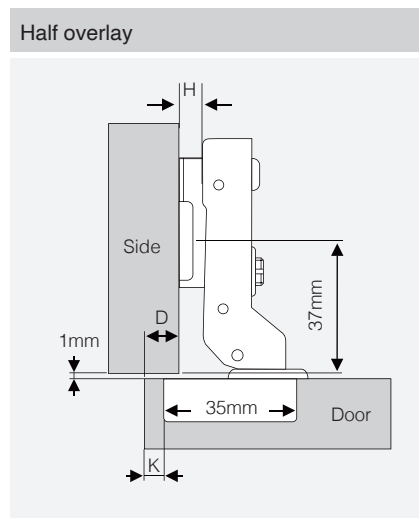
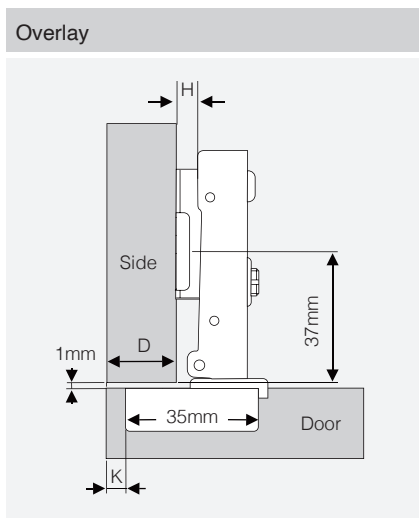
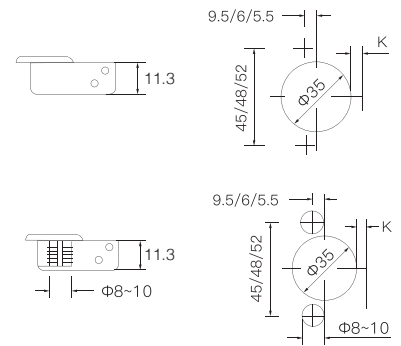
* Standard cup distance is 45mm; if 48mm, please change code Hxxx1xxx to Hxxx2xxx; 52mm change to Hxxx3xxxS

H Hinge system

H11-105°; Slide-on; Two way



- Installation: Slide-on
- Opening degree: 105°
- Cup diameter: 35mm
- Cup depth: 11.3mm
- Cup distance: 45/48/52mm
- Door thickness: 14-22mm



		K-Cup distance				
		3	4	5	6	7
D-Door overlay	22.0					0
	21.0				0	
	20.0			0		2
	19.0		0		2	
	18.0	0		2		4
	17.0		2		4	
	16.0	2		4		
	15.0		4			
14.0	4					
		H-Mounting plate height				

		K-Cup distance				
		3	4	5	6	7
D-Door overlay	13.0					0
	12.0				0	
	11.0			0		2
	10.0		0		2	
	9.0	0		2		4
	8.0		2		4	
	7.0	2		4		
	6.0		4			
5.0	4					
		H-Mounting plate height				

		K-Cup distance				
		3	4	5	6	7
A-Door reveal	2.0	4				
	1.0		4			
	0.0	2		4		
	-1.0		2		4	
	-2.0	0		2		4
	-3.0		0		2	
	-4.0			0		
	-5.0				0	2
-6.0					0	
		H-Mounting plate height				

Cup assembly	Item No.
Screw on	H11A101N
Euro screw	H11A102N
φ8 press-in	H11A103N
φ10 press-in	H11A104N
φ8 expando	H11A105N
φ10 expando	H11A106N

Cup assembly	Item No.
Screw on	H11B101N
Euro screw	H11B102N
φ8 press-in	H11B103N
φ10 press-in	H11B104N
φ8 expando	H11B105N
φ10 expando	H11B106N

Cup assembly	Item No.
Screw on	H11C101N
Euro screw	H11C102N
φ8 press-in	H11C103N
φ10 press-in	H11C104N
φ8 expando	H11C105N
φ10 expando	H11C106N

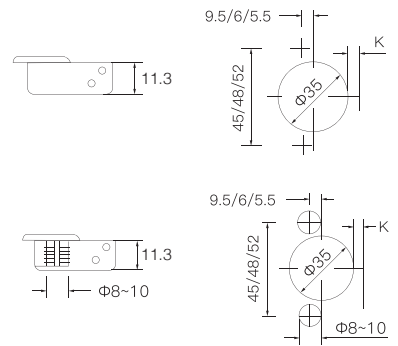
* Standard cup distance is 45mm; if 48mm, please change code Hxxx1xxx to Hxxx2xxx; 52mm change to Hxxx3xxx

H Hinge system

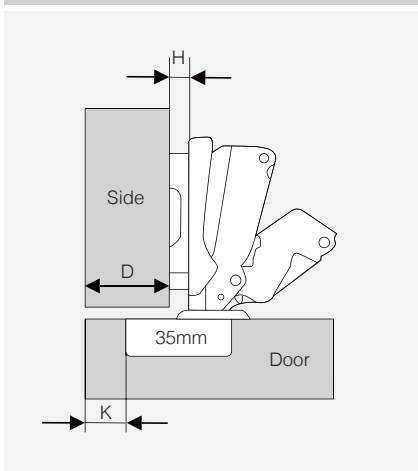
H18-165°; Slide-on; One way



- Installation: Clip-on
- Opening degree: 165°
- Cup diameter: 35mm
- Cup depth: 11.3mm
- Cup distance: 45/48/52mm
- Door thickness: 14-26mm

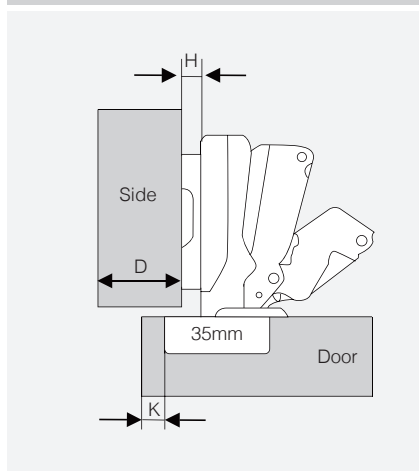


Overlay



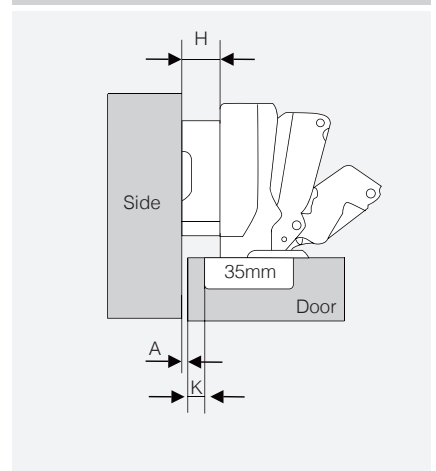
		K-Cup distance				
		3	4	5	6	7
D-Door overlay	20.0					0
	19.0				0	
	18.0			0		2
	17.0		0		2	
	16.0	0		2		4
	15.0		2		4	
	14.0	2		4		
	13.0		4			
12.0	4					
		H-Mounting plate height				

Half overlay



		K-Cup distance				
		3	4	5	6	7
D-Door overlay	11.0					0
	10.0				0	
	9.0			0		2
	8.0		0		2	
	7.0	0		2		4
	6.0		2		4	
	5.0	2		4		
	4.0		4			
3.0	4					
		H-Mounting plate height				

Inset



		K-Cup distance				
		3	4	5	6	7
A-Door reveal	4.0	4				
	3.0		4			
	2.0	2		4		
	1.0		2		4	
	0.0	0		2		4
	-1.0		0		2	
	-2.0			0		
	-3.0				0	2
-4.0					0	
		H-Mounting plate height				

Cup assembly	Item No.
Screw on	H18A101N
Euro screw	H18A102N
φ8 press-in	H18A103N
φ10 press-in	H18A104N
φ8 expando	H18A105N
φ10 expando	H18A106N

Cup assembly	Item No.
Screw on	H18B101N
Euro screw	H18B102N
φ8 press-in	H18B103N
φ10 press-in	H18B104N
φ8 expando	H18B105N
φ10 expando	H18B106N

Cup assembly	Item No.
Screw on	H18C101N
Euro screw	H18C102N
φ8 press-in	H18C103N
φ10 press-in	H18C104N
φ8 expando	H18C105N
φ10 expando	H18C106N

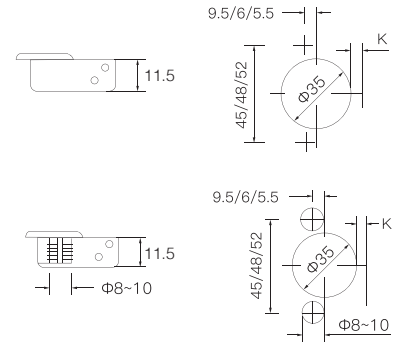
* Standard cup distance is 45mm; if 48mm, please change code Hxxx1xxx to Hxxx2xxx; 52mm change to Hxxx3xxxS

H Hinge system

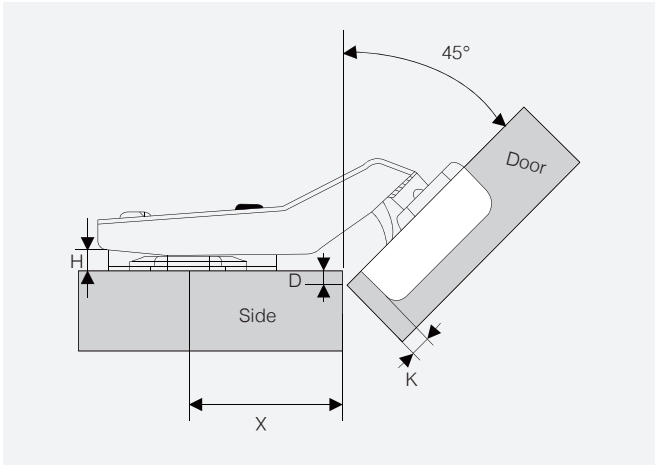
H15-45°; Slide-on; Two way



- Installation: Clip-on
- Opening degree: 45°
- Cup diameter: 35mm
- Cup depth: 11.5mm
- Cup distance: 45/48/52mm
- Door thickness: 14-22mm



Overlay



		K-Cup distance			
		4 (X=37)	5 (X=36)	6 (X=35)	7 (X=34)
D-Door overlay	7.2				0
	6.3			0	
	5.2		0		2
	4.3	0		2	
	3.2		2		4
	2.3	2		4	
	1.6		4		
	0.5	4			
		H-Mounting plate height			

Cup assembly	Item No.
Screw on	H15A101N
Euro screw	H15A102N
φ8 press-in	H15A103N
φ10 press-in	H15A104N
φ8 expando	H15A105N
φ10 expando	H15A106N

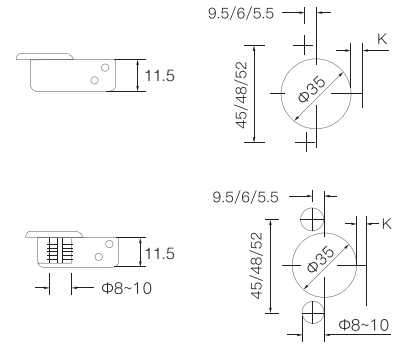
* Standard cup distance is 45mm; if 48mm, please change code Hxxx1xxx to Hxxx2xxx; 52mm change to Hxxx3xxS

H Hinge system

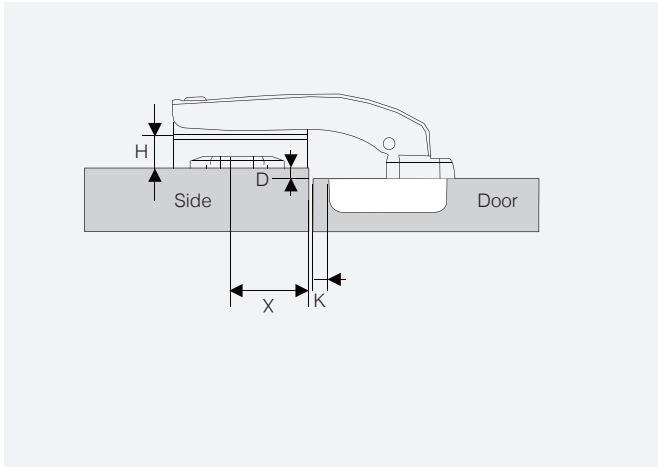
H25-90°; Slide-on; Two way



- Installation: Clip-on
- Opening degree: 45°
- Cup diameter: 35mm
- Cup depth: 11.5mm
- Cup distance: 45/48/52mm
- Door thickness: 14-22mm



Overlay



		K-Cup distance		
		4 (X=20)	5 (X=19)	
D-Door overlay				
	2.8	0	0	
	0.8	2	2	
	-1.2	4	4	
		H-Mounting plate height		

Cup assembly	Item No.
Screw on	H25A101N
Euro screw	H25A102N
φ8 press-in	H25A103N
φ10 press-in	H25A104N
φ8 expando	H25A105N
φ10 expando	H25A106N

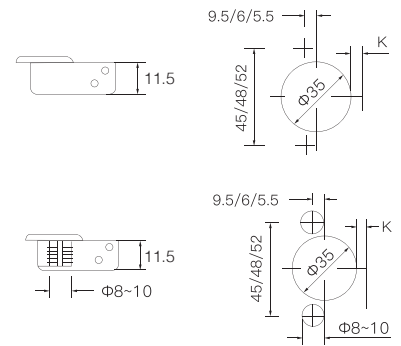
* Standard cup distance is 45mm; if 48mm, please change code Hxxx1xxx to Hxxx2xxx; 52mm change to Hxxx3xxS

H Hinge system

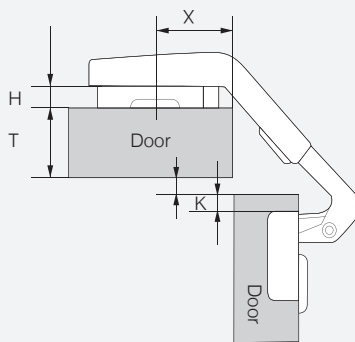
H35-135°; Slide-on; Two way



- Installation: Clip-on
- Opening degree: 135°
- Cup diameter: 35mm
- Cup depth: 11.5mm
- Cup distance: 45/48/52mm
- Door thickness: 14-22mm



Overlay



		K-Cup distance			
		4 (X=37)	5 (X=37)		
T-Door thickness					
	≤18	0	0		
	>18	2	2		
		H-Mounting plate height			

Cup assembly	Item No.
Screw on	H35A101N
Euro screw	H35A102N
φ8 press-in	H35A103N
φ10 press-in	H35A104N
φ8 expando	H35A105N
φ10 expando	H35A106N

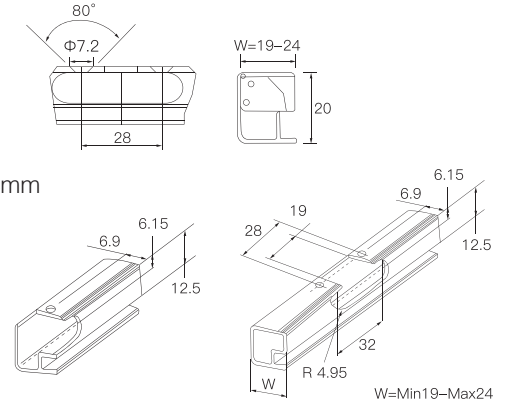
* Standard cup distance is 45mm; if 48mm, please change code Hxxx1xxx to Hxxx2xxx; 52mm change to Hxxx3xxS

H Hinge system

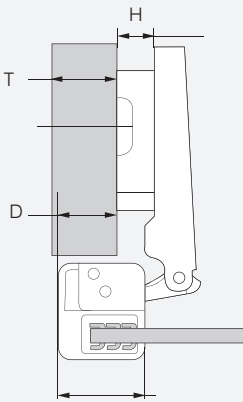
H20-110°; Aluminum frame door; Slide-on; One way



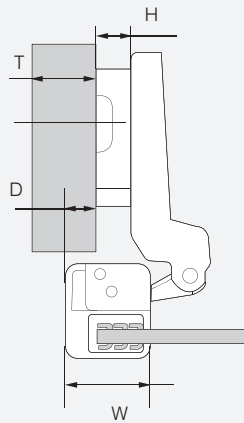
- Installation: Clip-on
- Opening degree: 105°
- Cup distance: 28mm
- Aluminum frame width: 19-24mm



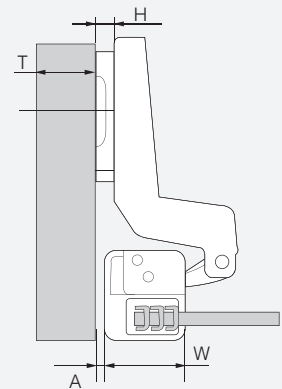
Overlay



Half overlay



Inset



		W-Width of aluminum frame					
		19	20	21	22	23	24
D-Door overlay	22.0						0
	21.0					0	
	20.0				0		2
	19.0			0		2	
	18.0		0		2		4
	17.0	0		2		4	
	16.0		2		4		
	15.0	2		4			
	14.0		4				
	13.0	4					
		H-Mounting plate height					

		W-Width of aluminum frame					
		19	20	21	22	23	24
D-Door overlay	13.0						0
	12.0					0	
	11.0				0		2
	10.0			0		2	
	9.0		0		2		4
	8.0	0		2		4	
	7.0		2		4		
	6.0	2		4			
	5.0		4				
	4.0	4					
		H-Mounting plate height					

		K-Cup distance					
		19	20	21	22	23	24
A-Door reveal	3.0	4					
	2.0		4				
	1.0	2		4			
	0.0		2		4		
	-1.0	0		2		4	
	-2.0		0		2		4
	-3.0			0		2	
	-4.0				0		2
	-5.0					0	
	-6.0						0
		H-Mounting plate height					

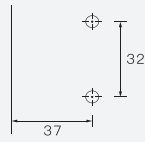
Cup assembly	Item No.
Screw on	H20A101N
Euro screw	H20A102N
φ8 press-in	H20A103N
φ10 press-in	H20A104N
φ8 expando	H20A105N
φ10 expando	H20A106N

Cup assembly	Item No.
Screw on	H20B101N
Euro screw	H20B102N
φ8 press-in	H20B103N
φ10 press-in	H20B104N
φ8 expando	H20B105N
φ10 expando	H20B106N

Cup assembly	Item No.
Screw on	H20C101N
Euro screw	H20C102N
φ8 press-in	H20C103N
φ10 press-in	H20C104N
φ8 expando	H20C105N
φ10 expando	H20C106N

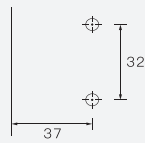
H Hinge system
Hinge plate for Slide-on

Two hole plate - P27



Assembly	H=0	H=2	H=4
	Item No.	Item No.	Item No.
Screw on	P27001	P27201	P27401
Euro screw	P27002	P27202	P27402
φ5 press-in	P27003	P27203	P27403

Four hole plate - P47



Assembly	H=0	H=2	H=4
	Item No.	Item No.	Item No.
Screw on	P47001	P47201	P47401

For more information, please visit CEMUX.COM
or contact us email CEMUX@CEMUX.CO.UK

CEMUX
LIVE YOUR LIFE

CEMUX TECHNOLOGY LTD

—
Kilkeary,
Nenagh,
Co. Tipperary
Ireland
Tel: 00353 67 31471