

CEMUX

REVOLUTION IN METAL BOX - M BOX

Slim drawer system catalogue



“New generation for the metal box”

1.2mm thickness ultra slim drawer in drawer system finish can be use in modern and stylish cabinet design.

More cost-effective way to decorate drawer in double wall drawer system style .



“Performance in different environment ”

No matter kitchen, living room, bathroom, wardrobe, M BOX can be suitable in any place by full extension and part extension.

M BOX can be easy installation by screws and click to lock the drawer.

“More functionality of drawer slide”

Soft-close; push-open all can be applied to the M BOX slide; Besides, 3D adjustment is easier to modify the small gap of assembling.

M BOX slide not only assembled with drawer slide, but also can be use individually for wooden drawer.



M box - 76mm height

Drawer H76; Soft-close/Push-open; 7/8 extension



- Extremely slim wall
- Soft-close/Push-open
- 7/8 extension
- Up & down adjustment;
- Left & right adjustment
- Length from 300-500mm
- Loading capacity is 30 KG

NL	Soft-close		Push-open		Package
	White	Grey	White	Grey	
300	M1401-300W	M1401-300G	M1401-300PW	M1401-300PG	6 sets
350	M1401-350W	M1401-350G	M1401-350PW	M1401-350PG	6 sets
400	M1401-400W	M1401-400G	M1401-400PW	M1401-400PG	6 sets
450	M1401-450W	M1401-450G	M1401-450PW	M1401-450PG	6 sets
500	M1401-500W	M1401-500G	M1401-500PW	M1401-500PG	6 sets

M box - 116mm height

Drawer H116; Soft-close/Push-open; 7/8 extension



- Extremely slim wall
- Soft-close/Push-open
- 7/8 extension
- Up & down adjustment;
- Left & right adjustment
- Length from 300-500mm
- Loading capacity is 30 KG

NL	Soft-close		Push-open		Package
	White	Grey	White	Grey	
300	M1402-300W	M1402-300G	M1402-300PW	M1402-300PG	6 sets
350	M1402-350W	M1402-350G	M1402-350PW	M1402-350PG	6 sets
400	M1402-400W	M1402-400G	M1402-400PW	M1402-400PG	6 sets
450	M1402-450W	M1402-450G	M1402-450PW	M1402-450PG	6 sets
500	M1402-500W	M1402-500G	M1402-500PW	M1402-500PG	6 sets

M box - 148mm height

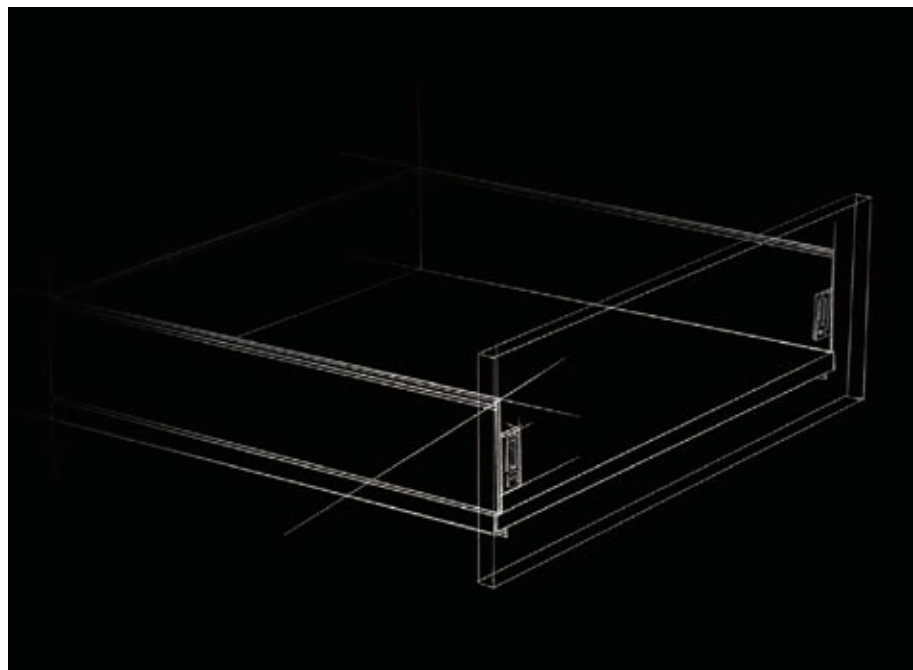
Drawer H148; Soft-close/Push-open; 7/8 extension



- Extremely slim wall
- Soft-close/Push-open
- 7/8 extension
- Up & down adjustment;
- Left & right adjustment
- Length from 300-500mm
- Loading capacity is 30 KG

NL	Soft-close		Push-open		Package
	White	Grey	White	Grey	
300	M1403-300W	M1403-300G	M1403-300PW	M1403-300PG	6 sets
350	M1403-350W	M1403-350G	M1403-350PW	M1403-350PG	6 sets
400	M1403-400W	M1403-400G	M1403-400PW	M1403-400PG	6 sets
450	M1403-450W	M1403-450G	M1403-450PW	M1403-450PG	6 sets
500	M1403-500W	M1403-500G	M1403-500PW	M1403-500PG	6 sets

“Best design for best living”

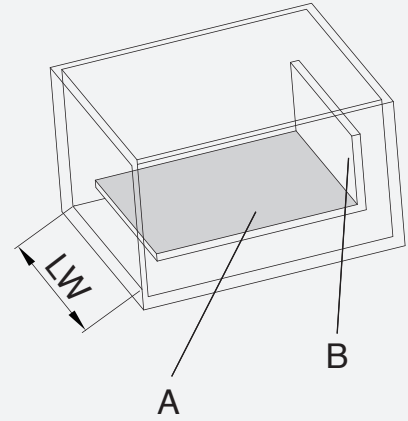
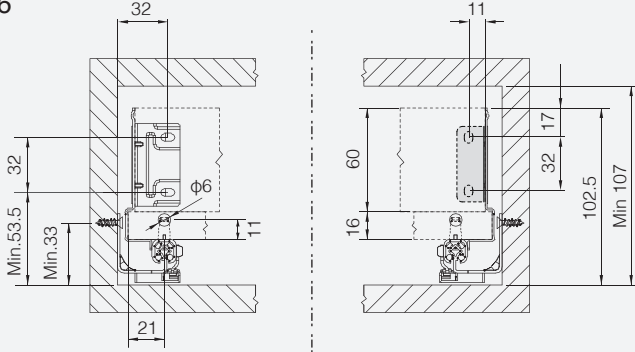


Technical information - How to confirm the hole position & cutting dimensions

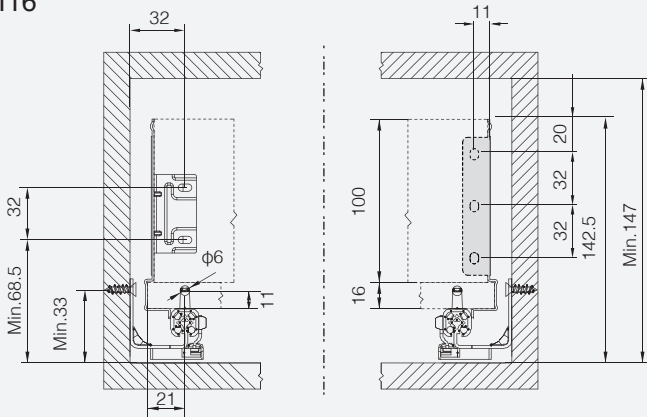
Technical information

Cutting dimensions for 16mm MDF

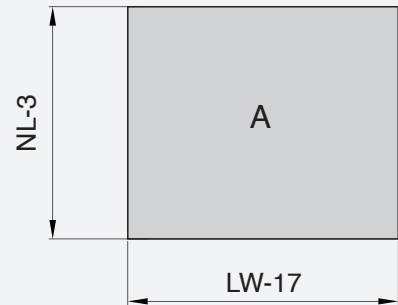
H76



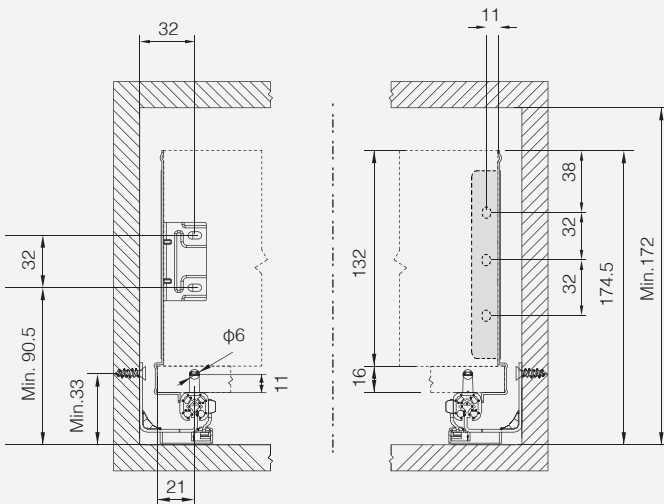
H116



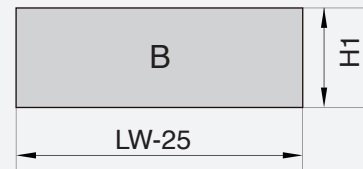
Bottom panel cutting dimension



H148

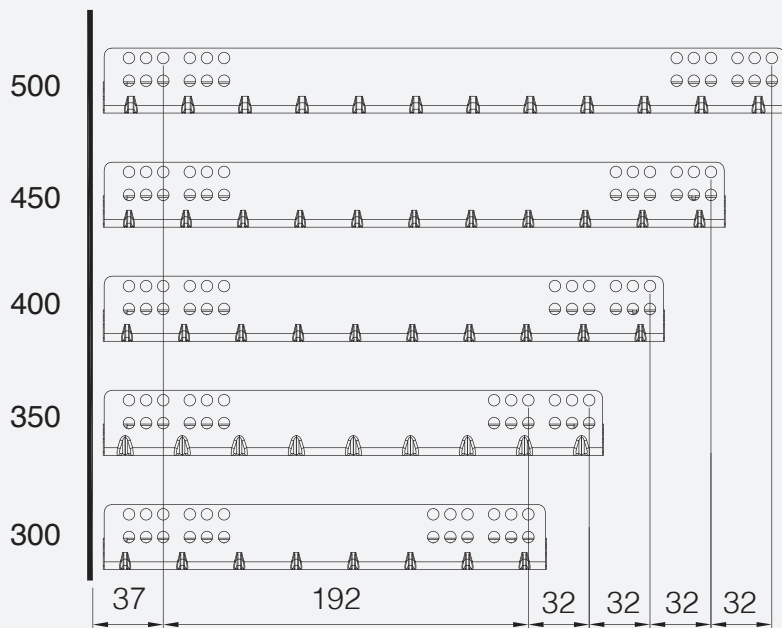


Back panel cutting dimension



H	H1
76	60
116	100
148	132

Fixing positions for drawer slides

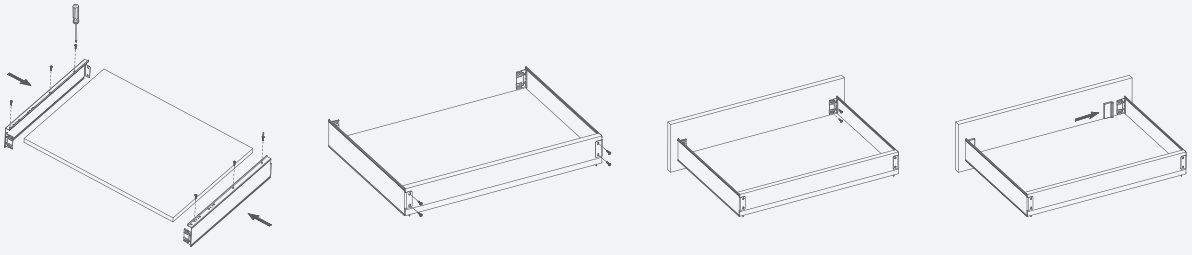


NL	Y
300	25
350	25
400	35
450	35
500	30

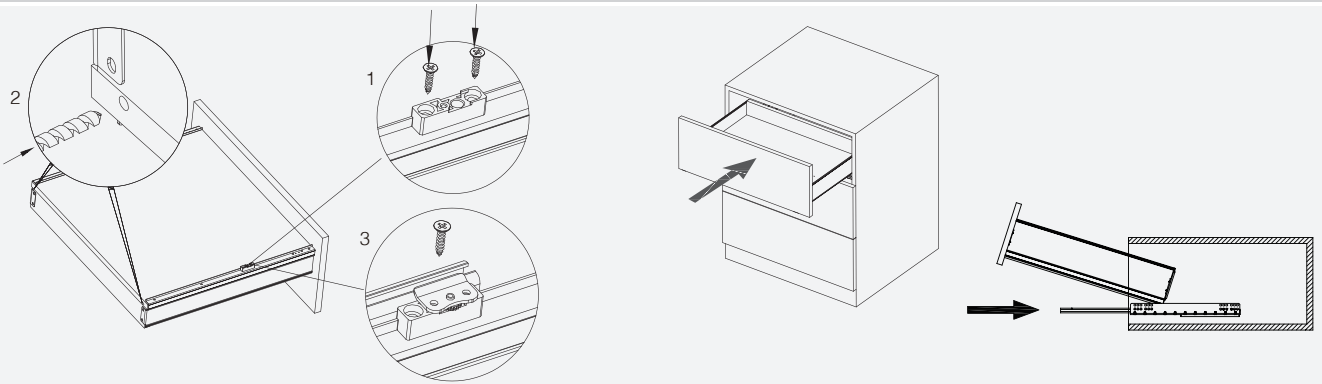
M box

Installation information

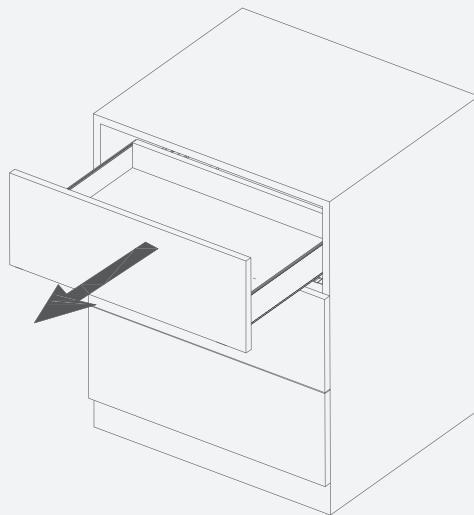
Install drawer



Install slide with pin



Remove drawer



Pin:
Remove screw then
raise and pull drawer

For more information, please visit CEMUX.COM
or contact us email INFO@CEMUX.COM

CEMUX
LIVE YOUR LIFE

CEMUX TECHNOLOGY IRELAND

Kilkeary,
Nenagh,
Co. Tipperary
Ireland
Tel: 00353 67 31471